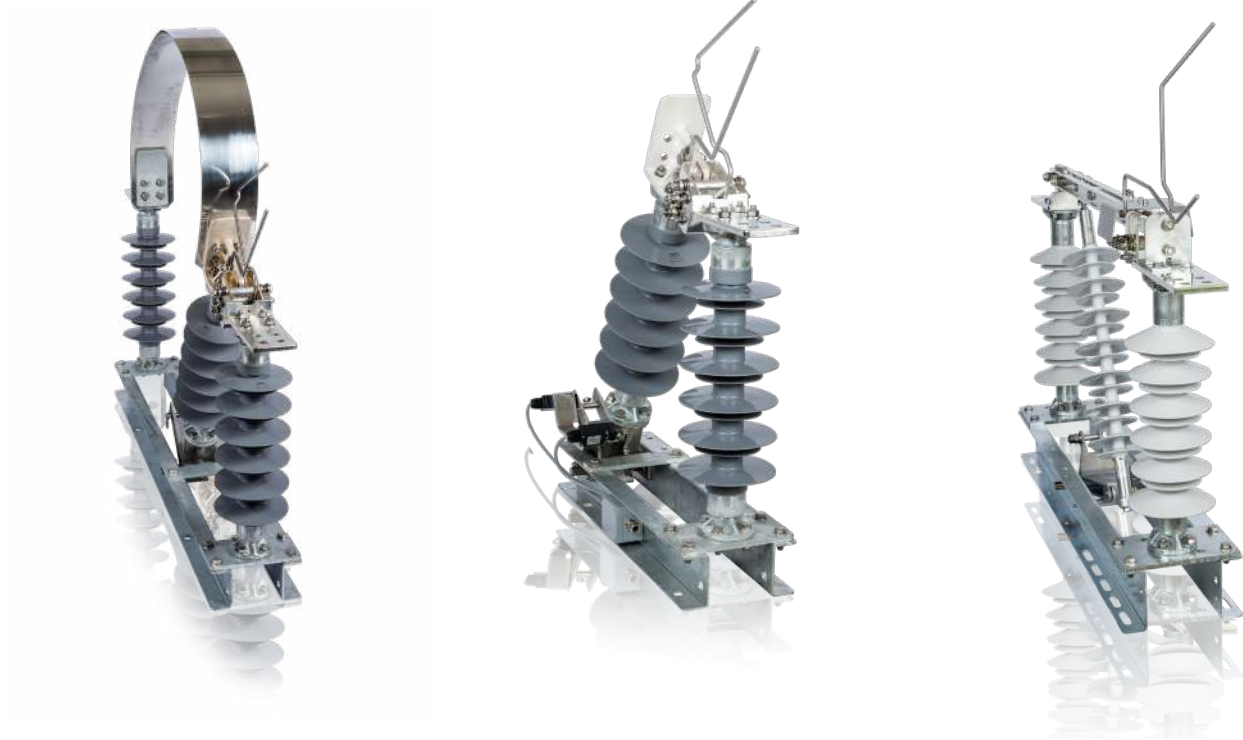


Disconnecter

Technical Data



Features and benefits

- All steel parts either in stainless steel or hot-dip galvanised
- Solid and stable base frame
- Minimal sag for the line-connection thanks to the two fixed terminals
- Fixing on the supporting structure either by clamps (free setting) or screws (holes in the base frame)
- Easy on-site installation and setting
- High reliability: up to 10'000 cycles
- All conducting parts either silver, nickel or tin-plated
- Practically maintenance-free

Lifetime

Mechanical life

10'000

Cycles

Rated values		15kV	25kV	Unit
Nominal voltage	Un	15	25	kV
Rated insulation voltage (acc. to IEC 62497-1)	UNm	17.5	27.5	kV
Rated voltage (acc. to IEC 62271-1)	Ur	36	52	kV
Rated frequency	f	16.7	50	Hz
Rated normal current	Ir	2'000	2'000	A

Withstand values		15kV	25kV	Unit
1 - minute power frequency withstand voltage (dry & wet)				
A – To earth	Ua	70	95	kV
B – Across the isolating distance		95	110	kV
Impulse withstand voltage (1.2/50 µs)				
A – To earth	UNi	170	250	kV
B – Across the isolating distance		195	290	kV

Short-circuit current		15kV	25kV	Unit
Rated short time withstand current	Ik	40	31.5	kA
Rated peak withstand current	Ip	100	80	kA
Rated duration of short-circuit	tk	1	3	s

Making and breaking current		15kV	25kV	Unit
Breaking current at power factor 0.7	I _{break}	2	2	A
Making current at power factor 0.7	I _{make}	2	2	A
Breaking current at power factor 0.35	I _{break}	6	6	A

Environmental conditions			
Operating temperature		-30 to +40	°C
Relative humidity		100	%
Solar radiation		1'000	W/m ²
Operating altitude		1'000	m above sea level
Icing		10	mm
Pollution degree (acc. to IEC 62497-1)		PD4B	
Wind speed		34	m/s

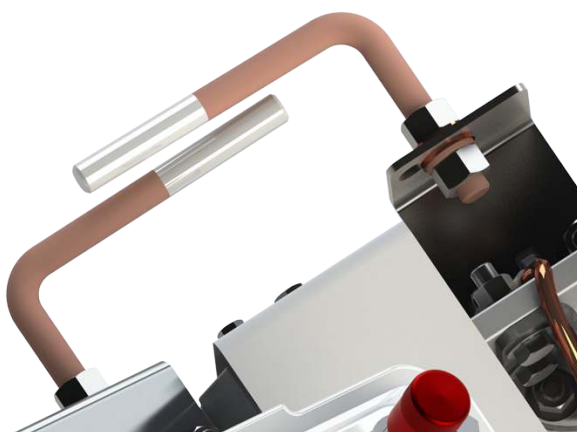
Technical modifications reserved

Options



Status indication

The status indication gives information about the precise position of the switch



Pre arcing horns

The optional pre arcing horns (for load-break and earthing switch) increase the peak making current to 32kA (E3)



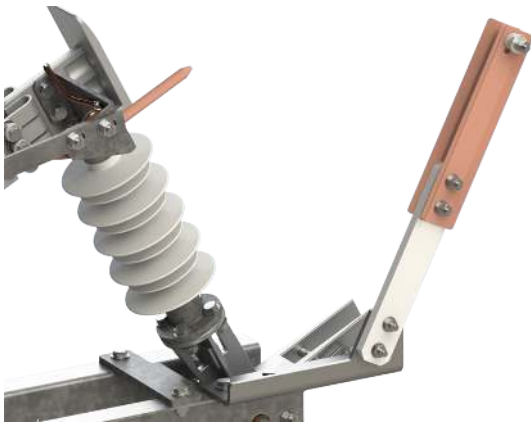
Horizontal flexball actuation

On request special solution for horizontal actuation with flexball.



Clamps

Mounting bracket for easy and fast assembly of OHL switches. Switches can be flexibly moved in the longitudinal direction.



Forced earthing

Earthing knife for more safety



Current transformer

Monitoring component for a reliable current measurement anytime

Drawings

Disconnecter

Disconnecter B1

Geometry	15kV	25kV	Unit
Minimum creepage distance (silicone insulators)	870	1255	mm
Operating stroke	120	180	mm
Weight	62	68	kg

Disconnecter B2

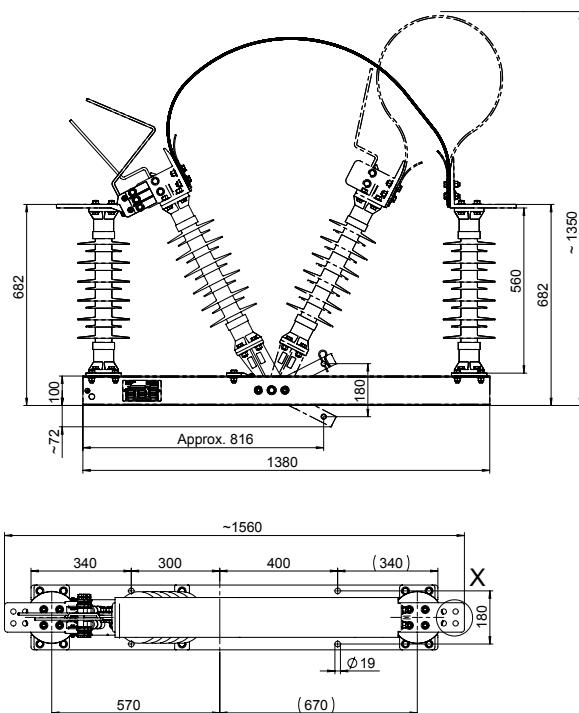
Geometry	15kV	25kV	Unit
Minimum creepage distance (silicone insulators)	870	1255	mm
Operating stroke	120	180	mm
Weight	34	43	kg

Disconnecter B3

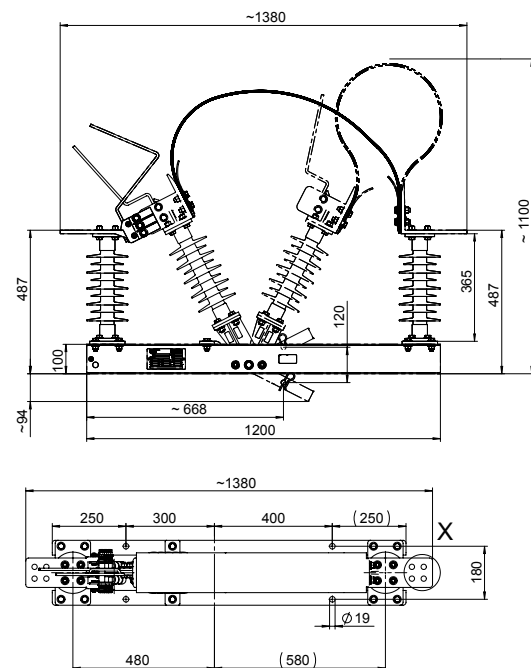
Geometry	15kV	25kV	Unit
Minimum creepage distance (silicone insulators)	715	1255	mm
Operating stroke	120	180	mm
Weight	42	68	kg

Technical modifications reserved

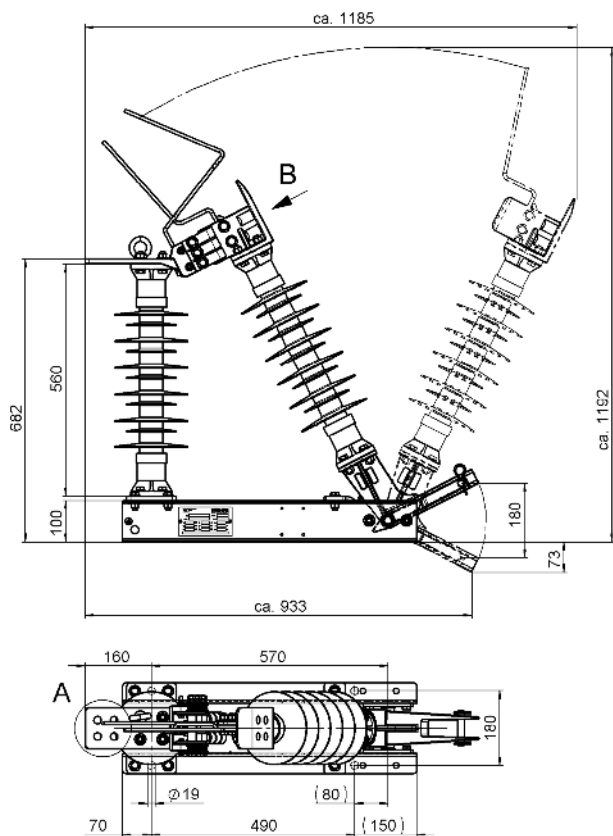
FHF B1 25/5



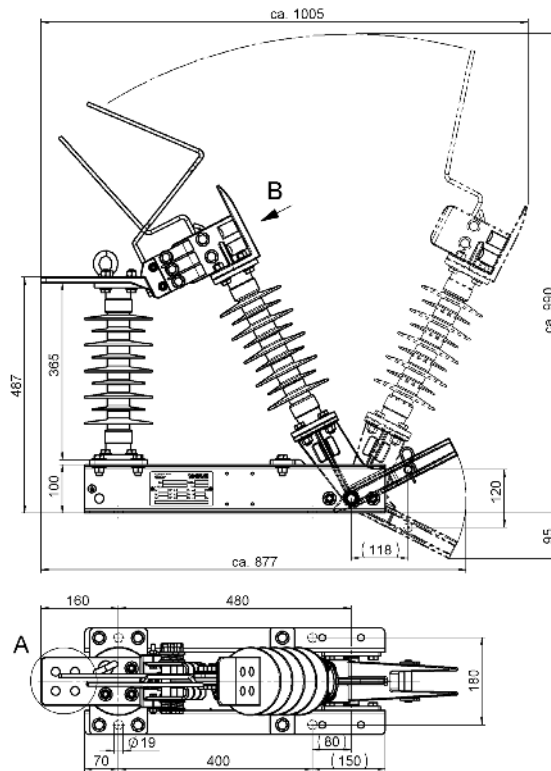
FHF B1 15/5



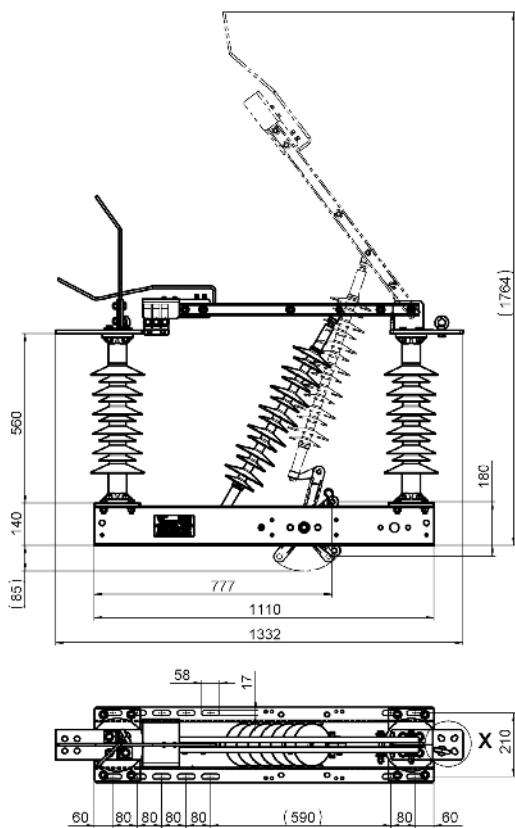
FHF B2 25/5



FHF B2 15/5



FHF B3 25/5



FHF B3 15/5

