

B - Line

Technische Daten



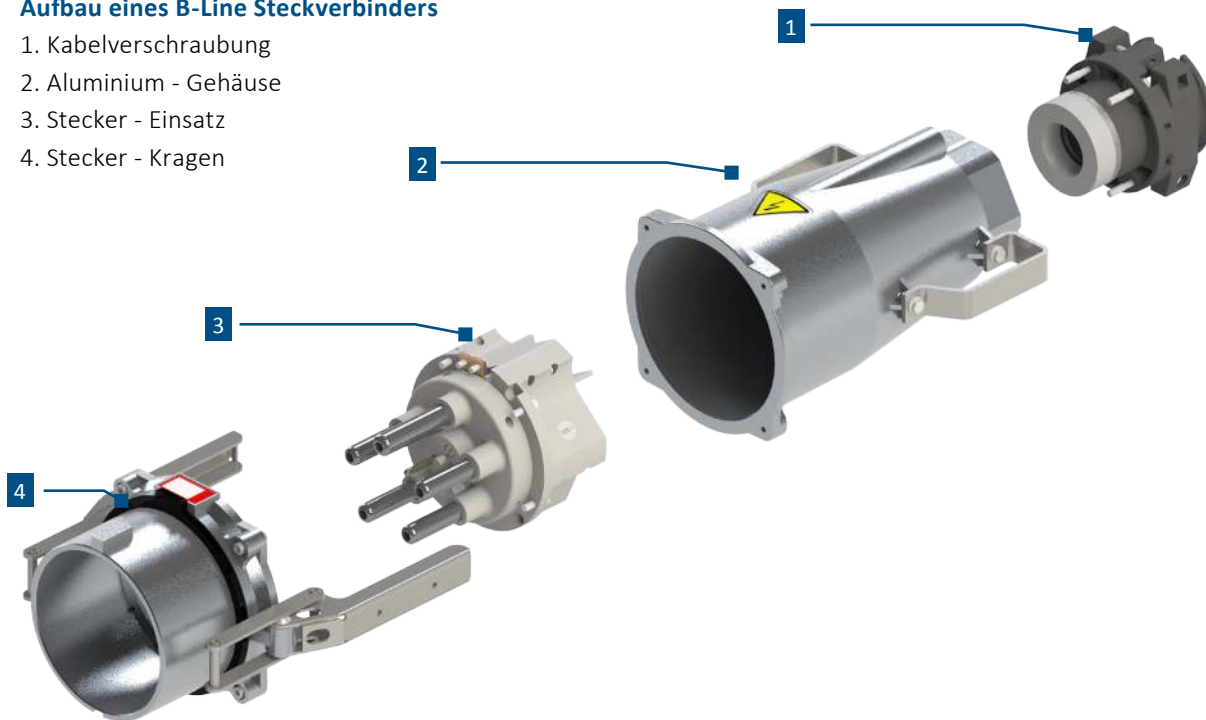
| Technische Merkmale | Einheit | B - Line | | |
|---|-----------------|------------------------------------|-----|-----|
| Nennstrom | A | 250 | 315 | 400 |
| Bemessungsstrom | A | 315 | 380 | 450 |
| Bemessungsspannung | V | 1'000 | | |
| Bemessungsfrequenz * | Hz | 50 / 60 | | |
| Prüfspannung (1 Min / 50 Hz) | V | 4'000 | | |
| Schutzart | | IP 67 | | |
| Mechanische Schutzart | | IK 10 | | |
| Umgebungstemperatur | °C | -40 / +100 | | |
| Isolationswiderstand (Phase-Phase und Phase-Erde) | MOhm | > 500 | | |
| Kriechstromfestigkeit des Einsatzes | CTI | > 600 | | |
| Anschlussquerschnitt, Seil EN 60228 Class 5 | mm ² | 70 - 240 | | |
| Max. Anschlussquerschnitt Pilot, Draht EN 60228 Class 5 | mm ² | 4 | | |
| Kabelverschraubung | mm | 34 - 66 Bis 85 auf Kundenwunsch | | |
| Kabeldurchmesser – separates Pilotkabel | mm | 8 -15 | | |

Technische Änderungen vorbehalten

Aufbau

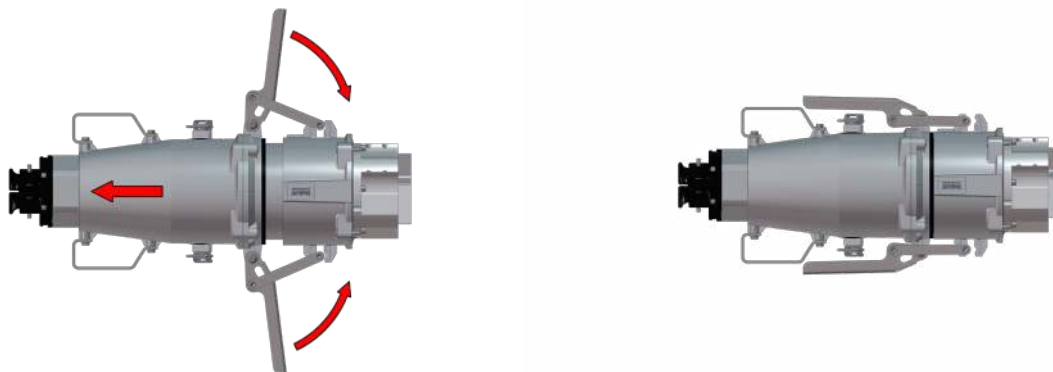
Aufbau eines B-Line Steckverbinders

1. Kabelverschraubung
2. Aluminium - Gehäuse
3. Stecker - Einsatz
4. Stecker - Kragen



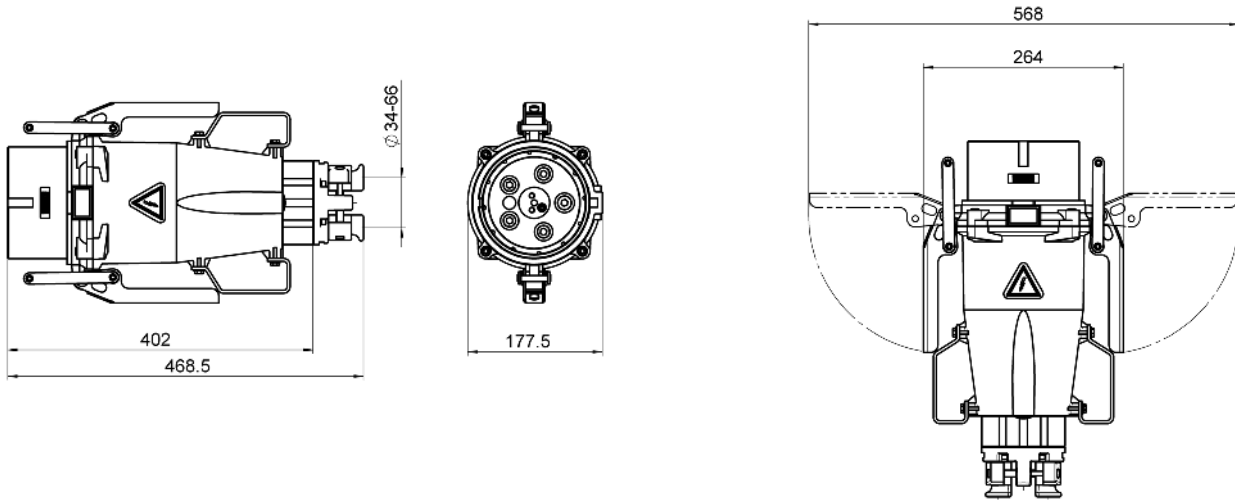
Verriegelungssystem

Mechanisch einfach gestaltetes Verriegelungssystem, das den Kraftaufwand beim Stecken und Ziehen vermindert.

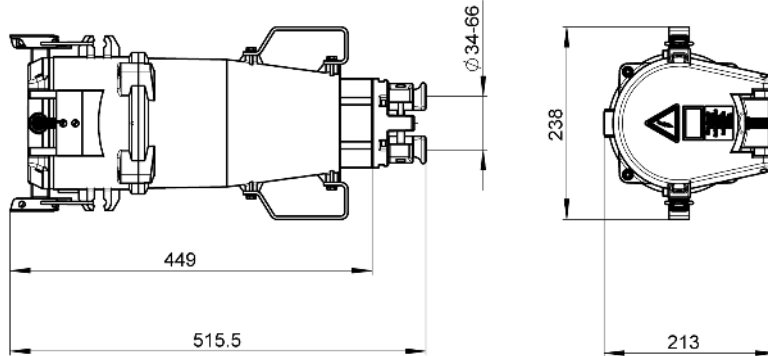


MC

Stecker

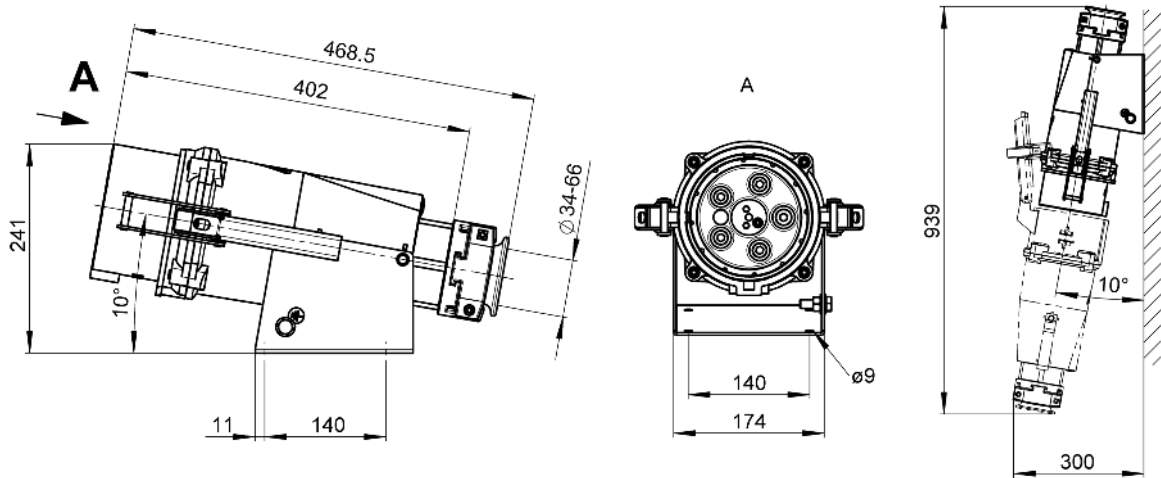


| Nennstrom | Polzahl | Spannung | Typenbezeichnung | Artikelnummer |
|-----------|-------------|----------|--------------------|---------------|
| 250A | 4 (3L+PEN) | 230V | MC-S4/250 230V-9h | 11440 |
| | | 400V | MC-S4/250 400V-6h | 11441 |
| | | 500V | MC-S4/250 500V-7h | 11442 |
| | | 690V | MC-S4/250 690V-5h | 11443 |
| | | 1000V | MC-S4/250 1000V-1h | 11444 |
| | 5 (3L+N+PE) | 230V | MC-S5/250 230V-9h | 11445 |
| | | 400V | MC-S5/250 400V-6h | 11446 |
| | | 500V | MC-S5/250 500V-7h | 11447 |
| | | 690V | MC-S5/250 690V-5h | 11448 |
| | | 1000V | MC-S5/250 1000V-1h | 11449 |
| 315 A | 4 (3L+PEN) | 230V | MC-S4/315 230V-9h | 22900 |
| | | 400V | MC-S4/315 400V-6h | 22901 |
| | | 500V | MC-S4/315 500V-7h | 22902 |
| | | 690V | MC-S4/315 690V-5h | 22903 |
| | | 1000V | MC-S4/315 1000V-1h | 22904 |
| | 5 (3L+N+PE) | 230V | MC-S5/315 230V-9h | 22905 |
| | | 400V | MC-S5/315 400V-6h | 22906 |
| | | 500V | MC-S5/315 500V-7h | 22907 |
| | | 690V | MC-S5/315 690V-5h | 22908 |
| | | 1000V | MC-S5/315 1000V-1h | 22909 |
| 400 A | 4 (3L+PEN) | 230V | MC-S4/400 230V-9h | 11450 |
| | | 400V | MC-S4/400 400V-6h | 11451 |
| | | 500V | MC-S4/400 500V-7h | 11452 |
| | | 690V | MC-S4/400 690V-5h | 11453 |
| | | 1000V | MC-S4/400 1000V-1h | 11454 |
| | 5 (3L+N+PE) | 230V | MC-S5/400 230V-9h | 11455 |
| | | 400V | MC-S5/400 400V-6h | 11456 |
| | | 500V | MC-S5/400 500V-7h | 11457 |
| | | 690V | MC-S5/400 690V-5h | 11458 |
| | | 1000V | MC-S5/400 1000V-1h | 11459 |

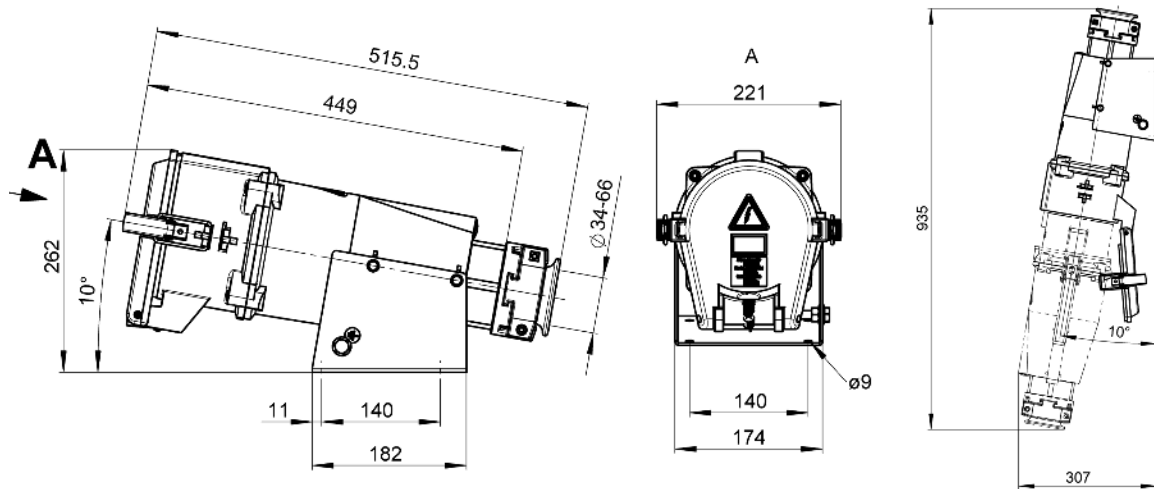


| Nennstrom | Polzahl | Spannung | Typenbezeichnung | Artikelnummer |
|-----------|-------------|----------|--------------------|---------------|
| 250A | 4 (3L+PEN) | 230V | FC-S4/250 230V-9h | 11650 |
| | | 400V | FC-S4/250 400V-6h | 11651 |
| | | 500V | FC-S4/250 500V-7h | 11652 |
| | | 690V | FC-S4/250 690V-5h | 11653 |
| | | 1000V | FC-S4/250 1000V-1h | 11654 |
| | 5 (3L+N+PE) | 230V | FC-S5/250 230V-9h | 11655 |
| | | 400V | FC-S5/250 400V-6h | 11656 |
| | | 500V | FC-S5/250 500V-7h | 11657 |
| | | 690V | FC-S5/250 690V-5h | 11658 |
| | | 1000V | FC-S5/250 1000V-1h | 11659 |
| 315 A | 4 (3L+PEN) | 230V | FC-S4/315 230V-9h | 22890 |
| | | 400V | FC-S4/315 400V-6h | 22891 |
| | | 500V | FC-S4/315 500V-7h | 22892 |
| | | 690V | FC-S4/315 690V-5h | 22893 |
| | | 1000V | FC-S4/315 1000V-1h | 22894 |
| | 5 (3L+N+PE) | 230V | FC-S5/315 230V-9h | 22895 |
| | | 400V | FC-S5/315 400V-6h | 22896 |
| | | 500V | FC-S5/315 500V-7h | 22897 |
| | | 690V | FC-S5/315 690V-5h | 22898 |
| | | 1000V | FC-S5/315 1000V-1h | 22899 |
| 400 A | 4 (3L+PEN) | 230V | FC-S4/400 230V-9h | 11660 |
| | | 400V | FC-S4/400 400V-6h | 11661 |
| | | 500V | FC-S4/400 500V-7h | 11662 |
| | | 690V | FC-S4/400 690V-5h | 11663 |
| | | 1000V | FC-S4/400 1000V-1h | 11664 |
| | 5 (3L+N+PE) | 230V | FC-S5/400 230V-9h | 11665 |
| | | 400V | FC-S5/400 400V-6h | 11666 |
| | | 500V | FC-S5/400 500V-7h | 11667 |
| | | 690V | FC-S5/400 690V-5h | 11668 |
| | | 1000V | FC-S5/400 1000V-1h | 11669 |





| Nennstrom | Polzahl | Spannung | Typenbezeichnung | Artikelnummer |
|-----------|-------------|----------|---------------------|---------------|
| 250A | 4 (3L+PEN) | 230V | MCW-S4/250 230V-9h | 11710 |
| | | 400V | MCW-S4/250 400V-6h | 11711 |
| | | 500V | MCW-S4/250 500V-7h | 11712 |
| | | 690V | MCW-S4/250 690V-5h | 11713 |
| | | 1000V | MCW-S4/250 1000V-1h | 11714 |
| | 5 (3L+N+PE) | 230V | MCW-S5/250 230V-9h | 11715 |
| | | 400V | MCW-S5/250 400V-6h | 11716 |
| | | 500V | MCW-S5/250 500V-7h | 11717 |
| | | 690V | MCW-S5/250 690V-5h | 11718 |
| | | 1000V | MCW-S5/250 1000V-1h | 11719 |
| 315 A | 4 (3L+PEN) | 230V | MCW-S4/315 230V-9h | 22910 |
| | | 400V | MCW-S4/315 400V-6h | 22911 |
| | | 500V | MCW-S4/315 500V-7h | 22912 |
| | | 690V | MCW-S4/315 690V-5h | 22913 |
| | | 1000V | MCW-S4/315 1000V-1h | 22914 |
| | 5 (3L+N+PE) | 230V | MCW-S5/315 230V-9h | 22915 |
| | | 400V | MCW-S5/315 400V-6h | 22916 |
| | | 500V | MCW-S5/315 500V-7h | 22917 |
| | | 690V | MCW-S5/315 690V-5h | 22918 |
| | | 1000V | MCW-S5/315 1000V-1h | 22919 |
| 400 A | 4 (3L+PEN) | 230V | MCW-S4/400 230V-9h | 11720 |
| | | 400V | MCW-S4/400 400V-6h | 11721 |
| | | 500V | MCW-S4/400 500V-7h | 11722 |
| | | 690V | MCW-S4/400 690V-5h | 11723 |
| | | 1000V | MCW-S4/400 1000V-1h | 11724 |
| | 5 (3L+N+PE) | 230V | MCW-S5/400 230V-9h | 11725 |
| | | 400V | MCW-S5/400 400V-6h | 11726 |
| | | 500V | MCW-S5/400 500V-7h | 11727 |
| | | 690V | MCW-S5/400 690V-5h | 11728 |
| | | 1000V | MCW-S5/400 1000V-1h | 11729 |

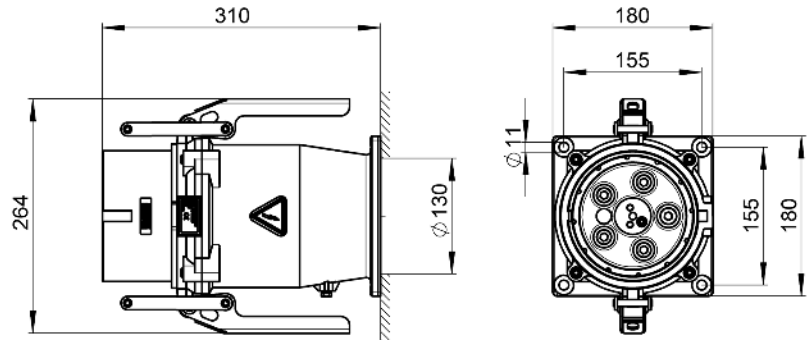


| Nennstrom | Polzahl | Spannung | Typenbezeichnung | Artikelnummer |
|-----------|-------------|----------|---------------------|---------------|
| 250A | 4 (3L+PEN) | 230V | FCW-S4/250 230V-9h | 11680 |
| | | 400V | FCW-S4/250 400V-6h | 11681 |
| | | 500V | FCW-S4/250 500V-7h | 11682 |
| | | 690V | FCW-S4/250 690V-5h | 11683 |
| | | 1000V | FCW-S4/250 1000V-1h | 11684 |
| | 5 (3L+N+PE) | 230V | FCW-S5/250 230V-9h | 11685 |
| | | 400V | FCW-S5/250 400V-6h | 11686 |
| | | 500V | FCW-S5/250 500V-7h | 11687 |
| | | 690V | FCW-S5/250 690V-5h | 11688 |
| | | 1000V | FCW-S5/250 1000V-1h | 11689 |
| 315 A | 4 (3L+PEN) | 230V | FCW-S4/315 230V-9h | 22860 |
| | | 400V | FCW-S4/315 400V-6h | 22861 |
| | | 500V | FCW-S4/315 500V-7h | 22862 |
| | | 690V | FCW-S4/315 690V-5h | 22863 |
| | | 1000V | FCW-S4/315 1000V-1h | 22864 |
| | 5 (3L+N+PE) | 230V | FCW-S5/315 230V-9h | 22865 |
| | | 400V | FCW-S5/315 400V-6h | 22866 |
| | | 500V | FCW-S5/315 500V-7h | 22867 |
| | | 690V | FCW-S5/315 690V-5h | 22868 |
| | | 1000V | FCW-S5/315 1000V-1h | 22869 |
| 400 A | 4 (3L+PEN) | 230V | FCW-S4/400 230V-9h | 11690 |
| | | 400V | FCW-S4/400 400V-6h | 11691 |
| | | 500V | FCW-S4/400 500V-7h | 11692 |
| | | 690V | FCW-S4/400 690V-5h | 11693 |
| | | 1000V | FCW-S4/400 1000V-1h | 11694 |
| | 5 (3L+N+PE) | 230V | FCW-S5/400 230V-9h | 11695 |
| | | 400V | FCW-S5/400 400V-6h | 11696 |
| | | 500V | FCW-S5/400 500V-7h | 11697 |
| | | 690V | FCW-S5/400 690V-5h | 11698 |
| | | 1000V | FCW-S5/400 1000V-1h | 11699 |

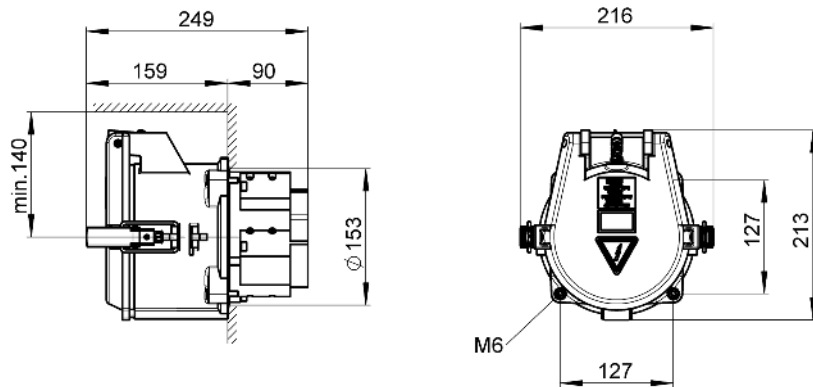


MCP

Anbaustecker



| Nennstrom | Polzahl | Spannung | Typenbezeichnung | Artikelnummer |
|-----------|-------------|----------|---------------------|---------------|
| 250A | 4 (3L+PEN) | 230V | MCP-S4/250 230V-9h | 11740 |
| | | 400V | MCP-S4/250 400V-6h | 11741 |
| | | 500V | MCP-S4/250 500V-7h | 11742 |
| | | 690V | MCP-S4/250 690V-5h | 11743 |
| | | 1000V | MCP-S4/250 1000V-1h | 11744 |
| | 5 (3L+N+PE) | 230V | MCP-S5/250 230V-9h | 11745 |
| | | 400V | MCP-S5/250 400V-6h | 11746 |
| | | 500V | MCP-S5/250 500V-7h | 11747 |
| | | 690V | MCP-S5/250 690V-5h | 11748 |
| | | 1000V | MCP-S5/250 1000V-1h | 11749 |
| 315 A | 4 (3L+PEN) | 230V | MCP-S4/315 230V-9h | 22920 |
| | | 400V | MCP-S4/315 400V-6h | 22921 |
| | | 500V | MCP-S4/315 500V-7h | 22922 |
| | | 690V | MCP-S4/315 690V-5h | 22923 |
| | | 1000V | MCP-S4/315 1000V-1h | 22924 |
| | 5 (3L+N+PE) | 230V | MCP-S5/315 230V-9h | 22925 |
| | | 400V | MCP-S5/315 400V-6h | 22926 |
| | | 500V | MCP-S5/315 500V-7h | 22927 |
| | | 690V | MCP-S5/315 690V-5h | 22928 |
| | | 1000V | MCP-S5/315 1000V-1h | 22929 |
| 400 A | 4 (3L+PEN) | 230V | MCP-S4/400 230V-9h | 11750 |
| | | 400V | MCP-S4/400 400V-6h | 11751 |
| | | 500V | MCP-S4/400 500V-7h | 11752 |
| | | 690V | MCP-S4/400 690V-5h | 11753 |
| | | 1000V | MCP-S4/400 1000V-1h | 11754 |
| | 5 (3L+N+PE) | 230V | MCP-S5/400 230V-9h | 11755 |
| | | 400V | MCP-S5/400 400V-6h | 11756 |
| | | 500V | MCP-S5/400 500V-7h | 11757 |
| | | 690V | MCP-S5/400 690V-5h | 11758 |
| | | 1000V | MCP-S5/400 1000V-1h | 11759 |

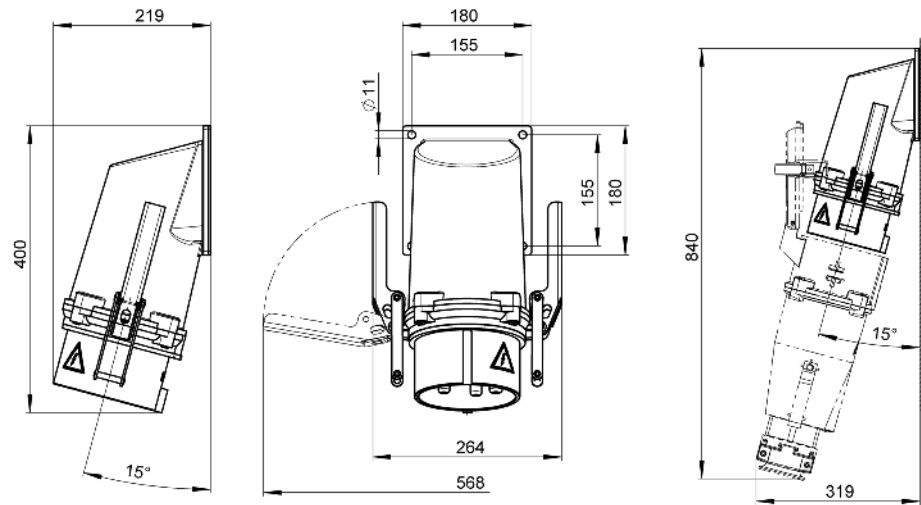


| Nennstrom | Polzahl | Spannung | Typenbezeichnung | Artikelnummer |
|-----------|-------------|----------|---------------------|---------------|
| 250A | 4 (3L+PEN) | 230V | FCP-S4/250 230V-9h | 11770 |
| | | 400V | FCP-S4/250 400V-6h | 11771 |
| | | 500V | FCP-S4/250 500V-7h | 11772 |
| | | 690V | FCP-S4/250 690V-5h | 11773 |
| | | 1000V | FCP-S4/250 1000V-1h | 11774 |
| | 5 (3L+N+PE) | 230V | FCP-S5/250 230V-9h | 11775 |
| | | 400V | FCP-S5/250 400V-6h | 11776 |
| | | 500V | FCP-S5/250 500V-7h | 11777 |
| | | 690V | FCP-S5/250 690V-5h | 11778 |
| | | 1000V | FCP-S5/250 1000V-1h | 11779 |
| 315 A | 4 (3L+PEN) | 230V | FCP-S4/315 230V-9h | 22870 |
| | | 400V | FCP-S4/315 400V-6h | 22871 |
| | | 500V | FCP-S4/315 500V-7h | 22872 |
| | | 690V | FCP-S4/315 690V-5h | 22873 |
| | | 1000V | FCP-S4/315 1000V-1h | 22874 |
| | 5 (3L+N+PE) | 230V | FCP-S5/315 230V-9h | 22875 |
| | | 400V | FCP-S5/315 400V-6h | 22876 |
| | | 500V | FCP-S5/315 500V-7h | 22877 |
| | | 690V | FCP-S5/315 690V-5h | 22878 |
| | | 1000V | FCP-S5/315 1000V-1h | 22879 |
| 400 A | 4 (3L+PEN) | 230V | FCP-S4/400 230V-9h | 11780 |
| | | 400V | FCP-S4/400 400V-6h | 11781 |
| | | 500V | FCP-S4/400 500V-7h | 11782 |
| | | 690V | FCP-S4/400 690V-5h | 11783 |
| | | 1000V | FCP-S4/400 1000V-1h | 11784 |
| | 5 (3L+N+PE) | 230V | FCP-S5/400 230V-9h | 11785 |
| | | 400V | FCP-S5/400 400V-6h | 11786 |
| | | 500V | FCP-S5/400 500V-7h | 11787 |
| | | 690V | FCP-S5/400 690V-5h | 11788 |
| | | 1000V | FCP-S5/400 1000V-1h | 11789 |

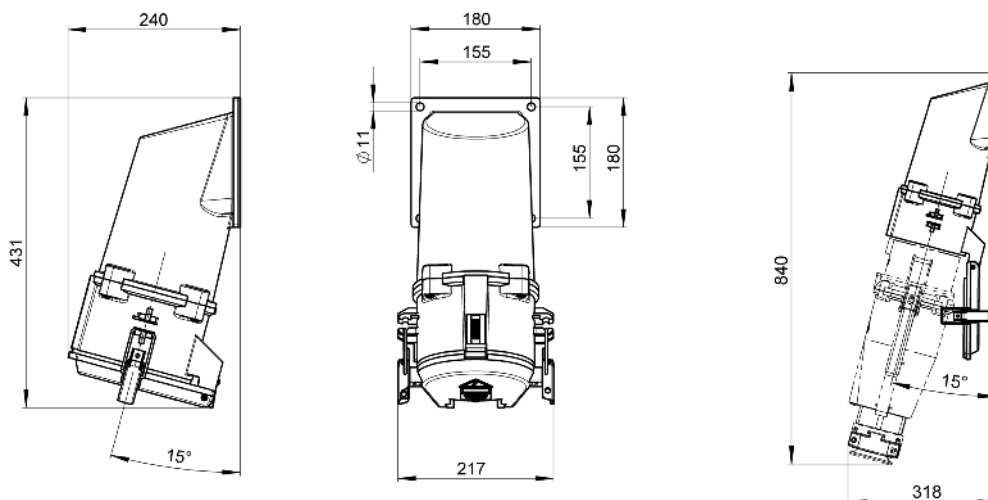


MCPA

Anbaustecker abgewinkelt



| Nennstrom | Polzahl | Spannung | Typenbezeichnung | Artikelnummer |
|-----------|-------------|----------|----------------------|---------------|
| 250A | 4 (3L+PEN) | 230V | MCPA-S4/250 230V-9h | 20588 |
| | | 400V | MCPA-S4/250 400V-6h | 20589 |
| | | 500V | MCPA-S4/250 500V-7h | 20590 |
| | | 690V | MCPA-S4/250 690V-5h | 20591 |
| | | 1000V | MCPA-S4/250 1000V-1h | 20592 |
| | 5 (3L+N+PE) | 230V | MCPA-S5/250 230V-9h | 20593 |
| | | 400V | MCPA-S5/250 400V-6h | 20594 |
| | | 500V | MCPA-S5/250 500V-7h | 20595 |
| | | 690V | MCPA-S5/250 690V-5h | 20596 |
| | | 1000V | MCPA-S5/250 1000V-1h | 20597 |
| 315 A | 4 (3L+PEN) | 230V | MCPA-S4/315 230V-9h | 22930 |
| | | 400V | MCPA-S4/315 400V-6h | 22931 |
| | | 500V | MCPA-S4/315 500V-7h | 22932 |
| | | 690V | MCPA-S4/315 690V-5h | 22933 |
| | | 1000V | MCPA-S4/315 1000V-1h | 22934 |
| | 5 (3L+N+PE) | 230V | MCPA-S5/315 230V-9h | 22935 |
| | | 400V | MCPA-S5/315 400V-6h | 22936 |
| | | 500V | MCPA-S5/315 500V-7h | 22937 |
| | | 690V | MCPA-S5/315 690V-5h | 22938 |
| | | 1000V | MCPA-S5/315 1000V-1h | 22939 |
| 400 A | 4 (3L+PEN) | 230V | MCPA-S4/400 230V-9h | 20598 |
| | | 400V | MCPA-S4/400 400V-6h | 20599 |
| | | 500V | MCPA-S4/400 500V-7h | 20600 |
| | | 690V | MCPA-S4/400 690V-5h | 20601 |
| | | 1000V | MCPA-S4/400 1000V-1h | 20602 |
| | 5 (3L+N+PE) | 230V | MCPA-S5/400 230V-9h | 20603 |
| | | 400V | MCPA-S5/400 400V-6h | 20604 |
| | | 500V | MCPA-S5/400 500V-7h | 20605 |
| | | 690V | MCPA-S5/400 690V-5h | 20606 |
| | | 1000V | MCPA-S5/400 1000V-1h | 20607 |



| Nennstrom | Polzahl | Spannung | Typenbezeichnung | Artikelnummer |
|-----------|-------------|----------|----------------------|---------------|
| 250A | 4 (3L+PEN) | 230V | FCPA-S4/250 230V-9h | 20618 |
| | | 400V | FCPA-S4/250 400V-6h | 20619 |
| | | 500V | FCPA-S4/250 500V-7h | 20620 |
| | | 690V | FCPA-S4/250 690V-5h | 20621 |
| | | 1000V | FCPA-S4/250 1000V-1h | 20622 |
| | 5 (3L+N+PE) | 230V | FCPA-S5/250 230V-9h | 20623 |
| | | 400V | FCPA-S5/250 400V-6h | 20624 |
| | | 500V | FCPA-S5/250 500V-7h | 20625 |
| | | 690V | FCPA-S5/250 690V-5h | 20626 |
| | | 1000V | FCPA-S5/250 1000V-1h | 20627 |
| 315 A | 4 (3L+PEN) | 230V | FCPA-S4/315 230V-9h | 22880 |
| | | 400V | FCPA-S4/315 400V-6h | 22881 |
| | | 500V | FCPA-S4/315 500V-7h | 22882 |
| | | 690V | FCPA-S4/315 690V-5h | 22883 |
| | | 1000V | FCPA-S4/315 1000V-1h | 22884 |
| | 5 (3L+N+PE) | 230V | FCPA-S5/315 230V-9h | 22885 |
| | | 400V | FCPA-S5/315 400V-6h | 22886 |
| | | 500V | FCPA-S5/315 500V-7h | 22887 |
| | | 690V | FCPA-S5/315 690V-5h | 22888 |
| | | 1000V | FCPA-S5/315 1000V-1h | 22889 |
| 400 A | 4 (3L+PEN) | 230V | FCPA-S4/400 230V-9h | 20628 |
| | | 400V | FCPA-S4/400 400V-6h | 20629 |
| | | 500V | FCPA-S4/400 500V-7h | 20630 |
| | | 690V | FCPA-S4/400 690V-5h | 20631 |
| | | 1000V | FCPA-S4/400 1000V-1h | 20632 |
| | 5 (3L+N+PE) | 230V | FCPA-S5/400 230V-9h | 20633 |
| | | 400V | FCPA-S5/400 400V-6h | 20634 |
| | | 500V | FCPA-S5/400 500V-7h | 20635 |
| | | 690V | FCPA-S5/400 690V-5h | 20636 |
| | | 1000V | FCPA-S5/400 1000V-1h | 20637 |



Optionen

Erweiterungen für jede Anwendung



Seewasser resistente Steckverbinder

Für Hafenanwendungen eine oft vom Kunden gewünschte Option. Die Seewasser-beständige Ausführung verhindert Oxidation am Gehäuse.

Seewasser resistente Steckverbinder auf Anfrage.



Vibrationsfeste Steckverbinder

Auf Anfrage sind vibrationsfeste Steckverbinder verfügbar.



Zubehör

- Schutzdeckel (Artikelnummer: 12123)
- Vorhängeschloss (Artikelnummer: 14349)

Allgemeine Informationen

Besonderheiten B-Line Steckverbinder

Einige im Katalog aufgelistete Produkteigenschaften gelten nur für die B-Line Steckverbinder.

Dazu gehören:

- Auswechselbare Kontakte
- Widerstandsfähiges Gehäuse bis zu 2 Tonnen Belastungen

Gewicht und Verpackungsinformation

| Artikel | | Gewicht (kg) | Packmasse (mm) |
|------------------------------------|---------|--------------|-----------------|
| Stecker MC | 4-polig | 7.1 | 462 x 240 x 242 |
| | 5-polig | 8.6 | 462 x 240 x 242 |
| Anbaustecker MCP | 4-polig | 8.1 | 275 x 230 x 350 |
| | 5-polig | 8.6 | 275 x 230 x 350 |
| Anbaustecker abgewinkelt MCPA | 4-polig | 9.8 | 462 x 240 x 242 |
| | 5-polig | 10.3 | 462 x 240 x 242 |
| Wandstecker MCW | 4-polig | 10.0 | 462 x 240 x 242 |
| | 5-polig | 10.5 | 462 x 240 x 242 |
| Kupplung FC | 4-polig | 9.4 | 462 x 240 x 242 |
| | 5-polig | 9.9 | 462 x 240 x 242 |
| Anbausteckdose FCP | 4-polig | 6.8 | 275 x 230 x 350 |
| | 5-polig | 7.3 | 275 x 230 x 350 |
| Anbausteckdose abgewinkelt FCPA | 4-polig | 10.3 | 462 x 240 x 242 |
| | 5-polig | 10.8 | 462 x 240 x 242 |
| Wandsteckdose FCW | 4-polig | 11.5 | 462 x 240 x 242 |
| | 5-polig | 12.0 | 462 x 240 x 242 |